



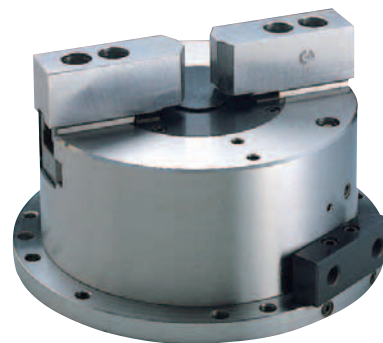
WORK GRIPPER

2-Jaw Work Gripper AT series

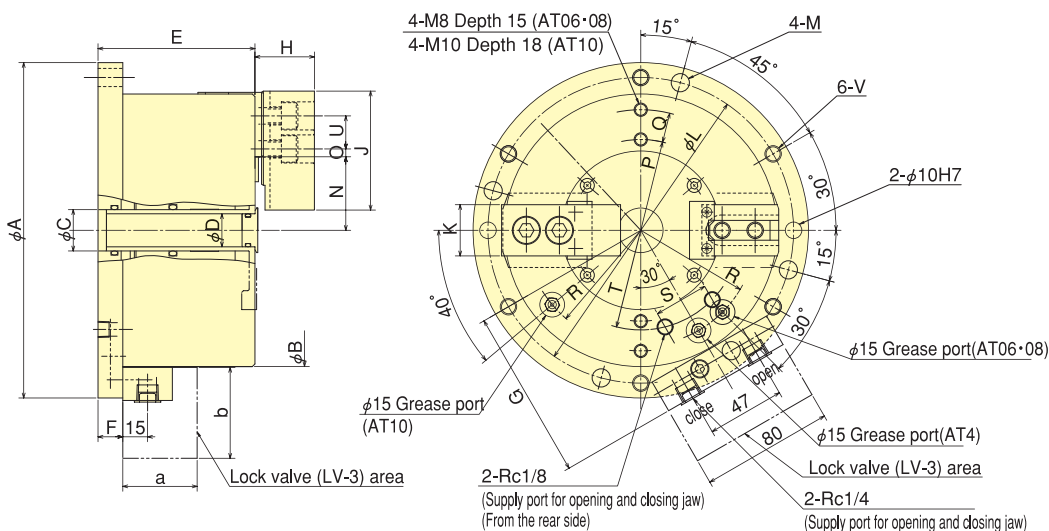
**Secure gripping of all types of component
Can be used as an alternative to a fixture**

- Small and lightweight design, with inbuilt air cylinder
- Easy mounting by air piping
- Hollow structure optimal for bar workpiece and air blow
- Standard Soft Jaw for Power Chuck is used
- Lock valve unit ensures constant and regular gripping force in all machining conditions

* CE correspondence



Dimensional Drawings



Dimensions

※The dimensions of W/X marked are the size of LV-3(Lock-valve).

Model	Dimensions	φA (h7)	φB	φC	φD	E	F	G	G	H	J	K	φL (±0.2)	φM	N max.	N min.	O max.	O min.	P	Q
AT04		148	110	20H7	—	90	15	75.5 (110.5)		27	55	23	130	9	25.5	22.9	9.75	6.75	—	—
AT06		203	165	25H7	20	95	15	103 (138)		36	72	31	185	11	44.5	41.9	9.25	4.75	55	18
AT08		248	210	36H7	30	106	15	125.5 (160.5)		42	95	35	230	11	53	49.85	14.75	8.75	68	25
AT10		300	254	50H7	43	110	16	147.5 (182.5)		46	110	40	280	13	66	62.85	16	8.5	85	30

Model	Dimensions	R	S	T	U	V	a	b
AT04		43	33	34	14	M8	45	55
AT06		70	33	60.3	20	M10	45	55
AT08		90	33	80	25	M10	45	55
AT10		110	33	95	30	M12	45	55

Specifications

※Air Consumption = Under Pressure 0.6MPa Plunger Stroke per 10mm

Model	Specifications	Jaw Stroke (diameter) mm	Gripping Force [Pneumatic at 0.6MPa (0.6kgf/cm ²)] kN (kgf)	Net Weight (kg)	Max. air pressure MPa (kgf/cm ²)	Matching Soft top jaw	Gripping range (mm) Max.	Gripping range (mm) Min.	Air Consumption (Nℓ)
AT04		5.2	7.5 (765)	6.9	0.6 (6.0)	SB04A1T	110	10	0.40
AT06		5.2	21.0 (2140)	15.0	0.6 (6.0)	SB06A1T	165	23	1.04
AT08		6.3	33.0 (3365)	26.7	0.6 (6.0)	SB08A1T	210	30	1.81
AT10		6.3	48.0 (4895)	40.8	0.6 (6.0)	SB10A1T	254	50	2.52